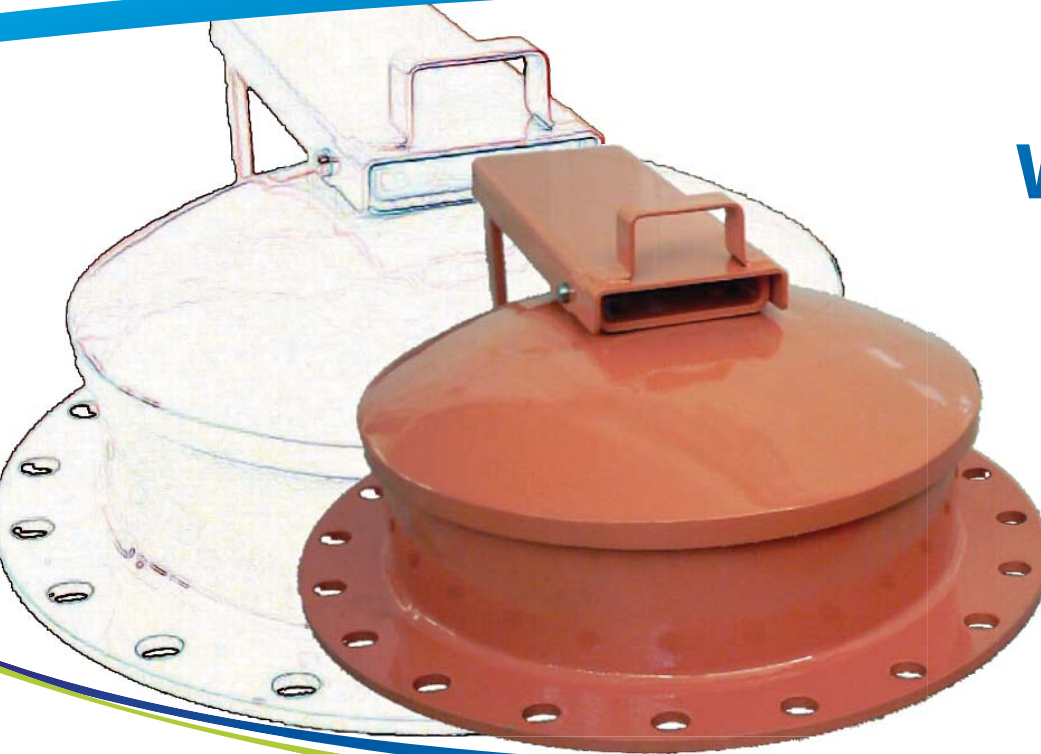


STORAGETECH®

An ERGIL Group Brand



Weight Loaded Emergency Pressure Relief Vent

model number 420

Product Description

StorageTech Model Number 420 Weight Loaded Emergency Relief Vent is a safety device that operates during the emergency moments when regular pressure vacuum vents can not function. Basically, Model Number 420 protects the tank against the incidents of rupture or internal pressures that are caused by fire exposure and so forth. They also provide easy accesses into the tank. They are typically mounted to a flange, which connects the vapor space of a storage tank. Vents can be set to your specifications so that the housings open when specific pressure and vacuum levels are reached.

Product Benefits

- StorageTech PVV Model 420 prevents evaporation losses.
- Protects environment. PVV prevents green house gases from mixing the atmosphere, and minimizes the product odors around the surrounding area.
- PVV provides safety for your storage facility. PVV protects your storage tank from explosions that are caused by sudden pressure and vacuum change.
- Provide easy access into the tank.



STORAGETECH®

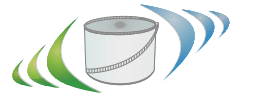
An ERGIL Group Brand

Key Features

- StorageTech PVV Model 420 is made of corrosion resistant materials with a long life duration.
- All Weight Loaded Emergency Relief Vents are tested and inspected after manufacturing.
- Easy to install. You do not need a special tool or experience to install the StorageTech PVV Model 420.
- StorageTech PVV Model 420 comes with the paint color you choose.

Manufacturing Materials

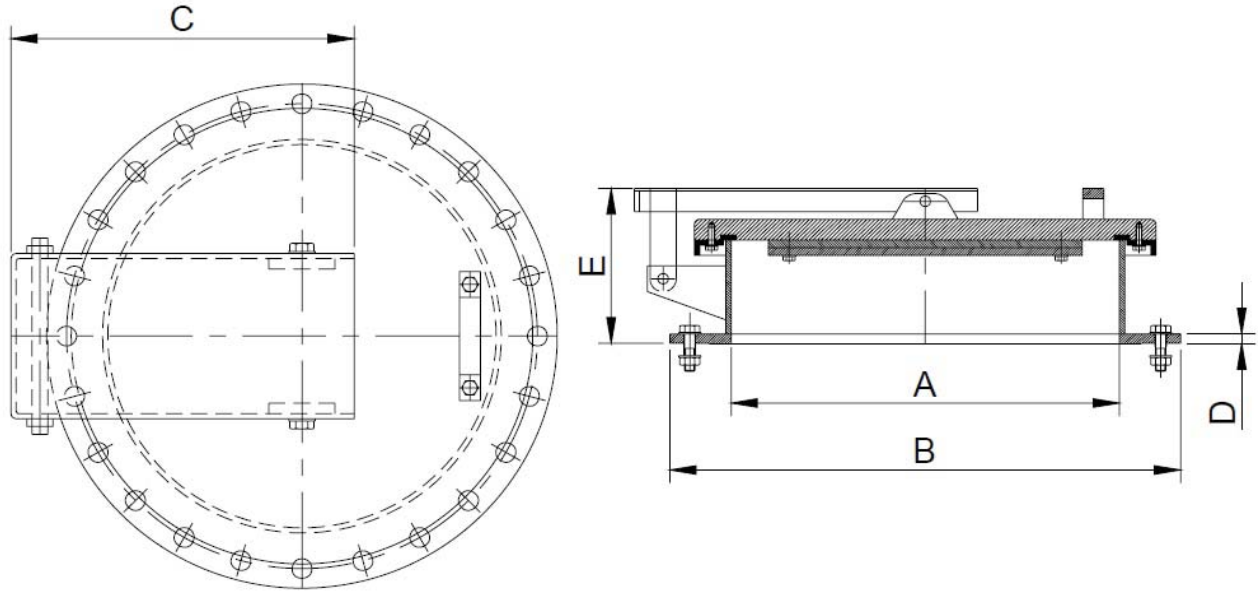
Base	Arm	Disk	Seal	Seal Support
Carbon Steel	Carbon Steel	Carbon Steel	Buna-N	Aluminum
304 S.S.	304 S.S.	Aluminum	FEP Teflon	Zinc
316 S.S.	316 S.S.	304 S.S.	Viton	304 S.S.
		316 S.S.		316 S.S.



STORAGETECH®

An ERGIL Group Brand

Dimension and Weights



Model	A Size Inch (mm)	B ANSI Flange O.D. Inch (mm)	C Overall Length Inch (mm)	D Flange Thickness Inch (mm)	E Height Inch (mm)	C.S. Unit Weight Lb (kg)	S.S. Unit Weight Lb (kg)
430	8 (219,1)	13-1/2 (343)	16-1/7 (410)	1/5 (5)	5 (125)	66,5 (30)	71 (32)
430	10 (273)	16 (406)	18-8/9 (480)	1/5 (5)	5 (125)	78 (35)	82 (37)
430	12 (323,9)	19 (483)	21-2/3 (550)	1/5 (5)	6-2/7 (160)	91 (41)	93 (42)
430	16 (406,6)	23,5 (596,9)	28-3/4 (730)	1/5 (5)	8 (200)	94 (43)	97 (44)
430	18 (609,6)	23,5 (596,9)	28-3/4 (730)	1/5 (5)	9,5 (246)	110 (50)	118 (54)
430	20 (508)	27,5 (698,5)	38-1/2 (980)	1/5 (5)	9,5 (246)	119 (54)	127 (58)
430	24 (609,6)	32 (813)	41-1/3 (1050)	1/5 (5)	9,5 (246)	176 (80)	186 (84)
430	30 (762)	38 (975)	51-2/11 (1300)	2-1/2 (10)	12 (300)	278 (125)	286,5 (129)
430	34 (863,6)	43-3/4 (1035)	55-1/2 (1410)	2-1/2 (10)	18-8/9 (475)	444,4 (200)	455,5 (205)
430	36 (914,4)	46 (1168,4)	63-7/9 (1620)	2-1/2 (10)	19 (482)	480 (216)	495,5 (223)

Dimension and Weights