

Spring Loaded Thief Hatch

model number 230

Product Description

StorageTech spring loaded thief hatch Model Number 230 is a safety device that has a cover structure that has pressure and vacuum relief mechanism housed inside the unit. They are typically mounted to a flange, which connects the vapor space of a storage tank or pressure vessel. Pressure vacuum spring loaded thief hatches can be set to your specifications so that the pallet assemblies in the housings open when specific pressure and vacuum levels are reached.

Product Benefits

- StorageTech spring loaded thief hatch prevents evaporation losses.
- Protects environment. Model Number 230 prevents green house gases from mixing the atmosphere, and minimizes the product odors around the surrounding area.
- PVV provide safety for your storage facility. Model Number 230 protects your storage tank.
- Provides tank access where manual level gauging, temperature measurement or sampling is required.

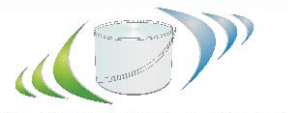


Key Features

- StorageTech Model Number 230 provides teflon seal for a longer service period, and reduce the spare cost.
- Non-sparking design
- Easy to install and use. You do not need a special tool or experience for installation.
- StorageTech PVV Model 230 comes with the paint color or any special lining you choose.

Manufacturing Materials

Construction	Springs	Optional Equipment	Shipping Weight
Aluminum Castings	Galvanized Steel	Bolt&Gasket Set	15 lbs (approx)
	Stainless Steel	Base Gasket Only	
		Special Gaskets	
		Non-Corrosive Coating	

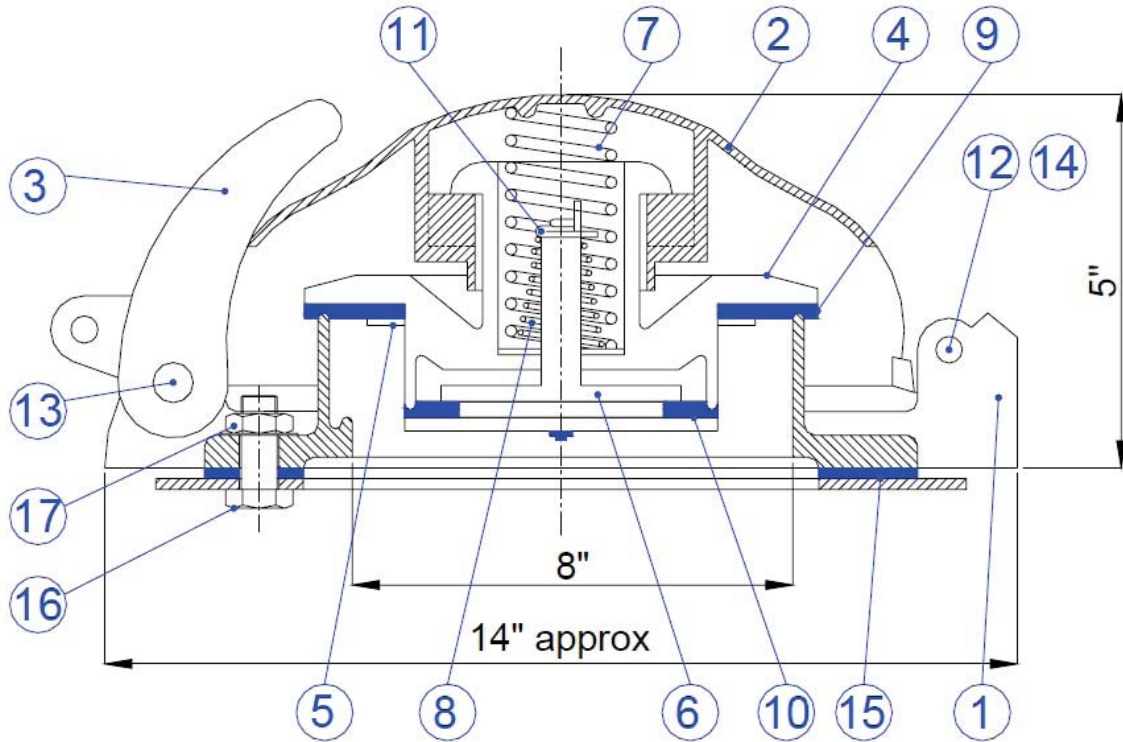


STORAGETECH®

An ERGIL Group Brand

Dimension and Weights

The Ergil is a traditional thief hatch, with the pressure and vacuum relief mechanism housed inside the cover of the unit. The unit mounts via a Standard 8" API Flange. The Ergil Thief Hatch is available in sweet or sour service configurations, and activation pressures of 4, 8, 16 and 32 oz / in2.



Ref.	Part Name	Material	Quantative
1	Base	Cast Aluminum	1
2	Cover	Cast Aluminum	1
3	Latch	Cast Aluminum	1
4	Center	Cast Aluminum	1
5	PressureRing	Included	1
6	Vacuum Disc	Cast Aluminum	1
7	Pressure Spring	Plated	1
8	Vacuum Spring	Buna N	1
9	Pressure Gasket	Buna N	1
10	Vacuum Gasket	Buna N	1
11	Cotter Key	Plated	1
12	Hinge Pin	Plated	1
13	Latch Pin	Plated	1
14	Linge Pin Clips	Plated	14
15	Base Gasket	Tank Packing	1
16	Bolt, Hex	Plated	16
17	Nut, Hex	Plated	16