

STORAGETECH®

An ERGIL Group Brand



ATEX approved 

Flame Arrester with Pressure Vacuum Vent

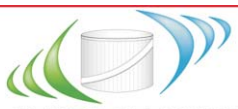
model number 330

Product Description

STORAGETECH® Model Number 330-flame arrester with pressure vacuum vent is a safety device that has a flame barrier and a pressure vacuum vent on the top that controls the internal pressure. Flame arrester has a large number of defined passage gaps, whose gap cross section is set with regard to the properties of the flowing gas, is cooled effectively and secured against flame flashback in the case of continuous combustion by the fact that second gaps having a smaller gap cross section are arranged adjacent to the first gaps having the selected gap cross section. They are typically mounted to a flange or pipe, which connects the vapor space of a storage tank or a pipeline.

Product Benefits

- StorageTech flame arrester Model 330 provides safety. It blocks the flame and does not allow flame travel through a pipeline or any in out-let.
- Protect s environment .Flame arrester prevents your facility against fire that is caused by explosions. Controls the internal pressure of a storage tank or a container.



STORAGETECH®

An ERGIL Group Brand

Key Features

- StorageTech PVV Model 300 internal materials are AISI 316 or 304 stainless steel Easy to clean internal materials
- Easy to install. You do not need a special tool or experience to install the StorageTech flame arrester with pressure vacuum relief valve.
- StorageTech PVV Model 100 and model 300 flame arrester comes with the paint color you choose.
- Standard manufacturing comes with API 150 class flange; however other flange types are available on request.
- Also available with cap that is used to protect the flame arrester against dust and rain.

Manufacturing Materials

Flame Arrester

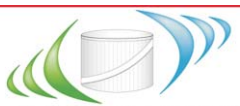
Housing	Cell	Gas Group
Carbon Steel	304 S.S.	IIB
304 S.S.	316 S.S	
316 S.S		
Aluminum		

Pressure Vacuum Vent

Housing	Seal/Pallet	Pallet Seal	Hardware	Weights	Gaskets
Cast Aluminum	Aluminum	FEP Teflon	304 S.S.	Carbon Steel	Compressed Fiber
Carbon Steel	304 S.S.		316 S.S	304 S.S.	
304 S.S.	316 S.S			316 S.S	
316 S.S				Lead	

Key Features

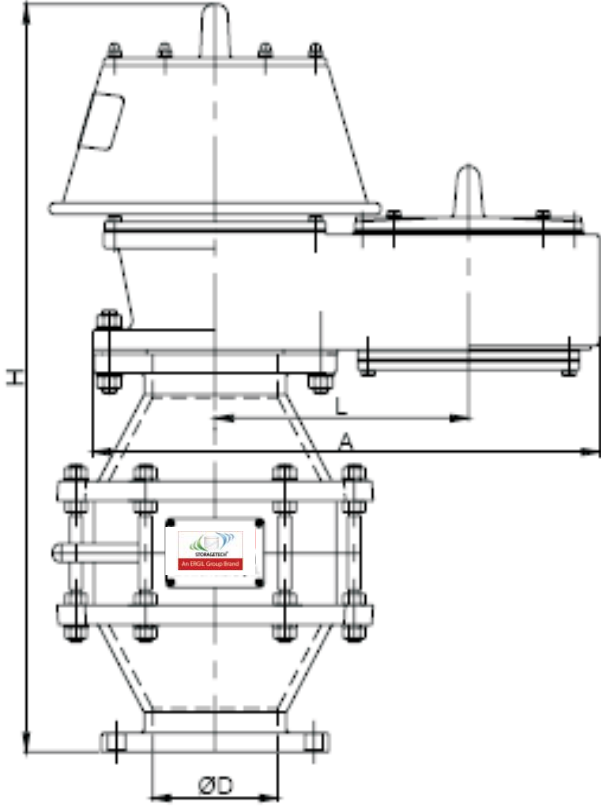




STORAGETECH®

An ERGIL Group Brand

Dimension and Weights



Size (Inch)	Pressure		Vacuum	
	Wt. min. max. (mbar)	Spr. min. max. (mbar)	Wt. min. max. (mbar)	Spr. min. max. (mbar)
2"	2.5 70	70 3500	2.5 70	70 800
3"	2.5 70	70 3500	2.5 70	70 800
4"	2.5 70	70 3500	2.5 70	70 800
6"	2.5 70	70 3000	2.5 70	70 800
8"	2.5 70	70 2500	2.5 70	70 800
10"	2.5 70	70 2000	2.5 70	70 800
12"	2.5 70	70 2000	2.5 70	70 800

Model	ØD Nominal Conn. Inch (mm)	H Overall Length Inch (mm)	L CL I/V Inch (mm)	A Overall Length Inch (mm)	Approximate Weight Lb. (Kg)
330	2" (Ø52)	16-1/4" (413)	5-3/4" (146)	13-1/2" (343)	425.3 (11.4)
330	3" (Ø78)	19-1/4" (488)	7" (178)	16-7/16" (418)	43.5 (19.6)
330	4" (Ø110)	30 (760)	8-3/4" (221)	119" (483)	86.6 (39)
330	6" (Ø154)	32 (810)	10-3/4" (273)	25-1/16" (637)	127.7 (57.5)
330	8" (Ø203)	35-1/3" (898)	14" (356)	32-1/16" (818)	195.5 (88)
330	10" (Ø255)	40-1/2" (1029)	15-1/2" (394)	35-1/22" (900)	311.1 (140)
330	12" (Ø204)	46-1/4" (1175)	17-1/4" (451)	40-3/8" (1026)	517.7 (233)

Dimension and Weights