



STORAGETECH®

An ERGIL Group Brand



ATEX approved



## VACUUM RELIEF VENT

model number 190

### Product Description

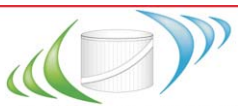
Vacuum breathing requirements of some petroleum products may vary so much from pressure breathing, that it is sometimes desirable and more economical to have separate vents to perform these respective functions. A minimum number of model options are required to cover the wide variety of fluids and temperatures encountered in the petroleum, chemical and general process industries. Many trims, body materials and settings are Standard options for those few conditions where Standard construction is unsuited. Standard materials of construction include low copper aluminum, steel, stainless steel or cast iron body. Metal seats are provided to withstand high pressures to which the vent may be Subjected. The body is self-draining and drip rings keep condensates from the seating surfaces. The Teflon diaphragm of the pallet has high resistance to adhesion by ice and gum formation, thus preventing sticking to the seat ring.

### Product Benefits

- Less need for special materials in corrosive and extreme temperature
- Unique floating diaphragm construction assures tight seal
- Peripheral and stem guided vacuum pallet assures reliable operation
- Pallet contributes to high flow
- Heavy duty construction, yet compact enough for easy handling



[www.ergil-storagetech.com](http://www.ergil-storagetech.com)



**STORAGETECH®**

An ERGIL Group Brand

## Standard Materials Of Construction

Service	Body	Vacuum Cover	Seat	Pallets	Stem Guides	Screen
<b>Norm. Alum.</b>	Cast alum.	Cast alum.	<b>Al.</b>	<b>Al.</b>	Galv. Iron	<b>Galv. Steel</b>
<b>Severe Iron</b>	Cast Iron	Cast Iron	<b>316 SS</b>	<b>316 SS</b>	316 SS	<b>304 SS</b>
<b>Severe Steel</b>	Cast Steel	Cast Steel				<b>316 SS</b>
<b>Severe 316 SS</b>	Cast 316 SS	Cast 316 SS				

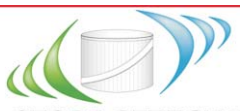
Service	Pallet Stem	Diaph.	Spacer	Cover Gaskets	Side Guides	Hardware
<b>Norm. Alum.</b>	Al.	<b>Teflon</b>	N - 8090	<b>"N" O-Ring</b>	316 SS	<b>St. Zinc Plated</b>
<b>Severe Iron</b>	316 SS					
<b>Severe Steel</b>						
<b>Severe 316 SS</b>						

## Max Std Vacuum Setting ( oz / sq. in )

SIZE (Inch)	LEAD WEIGHTS	S.S. WEIGHTS
<b>2"</b>	7.5 oz	6.0 oz
<b>3"</b>	9 oz	7.5 oz
<b>4"</b>	10.5 oz	7.5 oz
<b>6"</b>	12 oz	7.5 oz
<b>8"</b>	13.5 oz	9 oz
<b>10"</b>	16.5 oz	12 oz
<b>12"</b>	21 oz	15 oz

Key Features

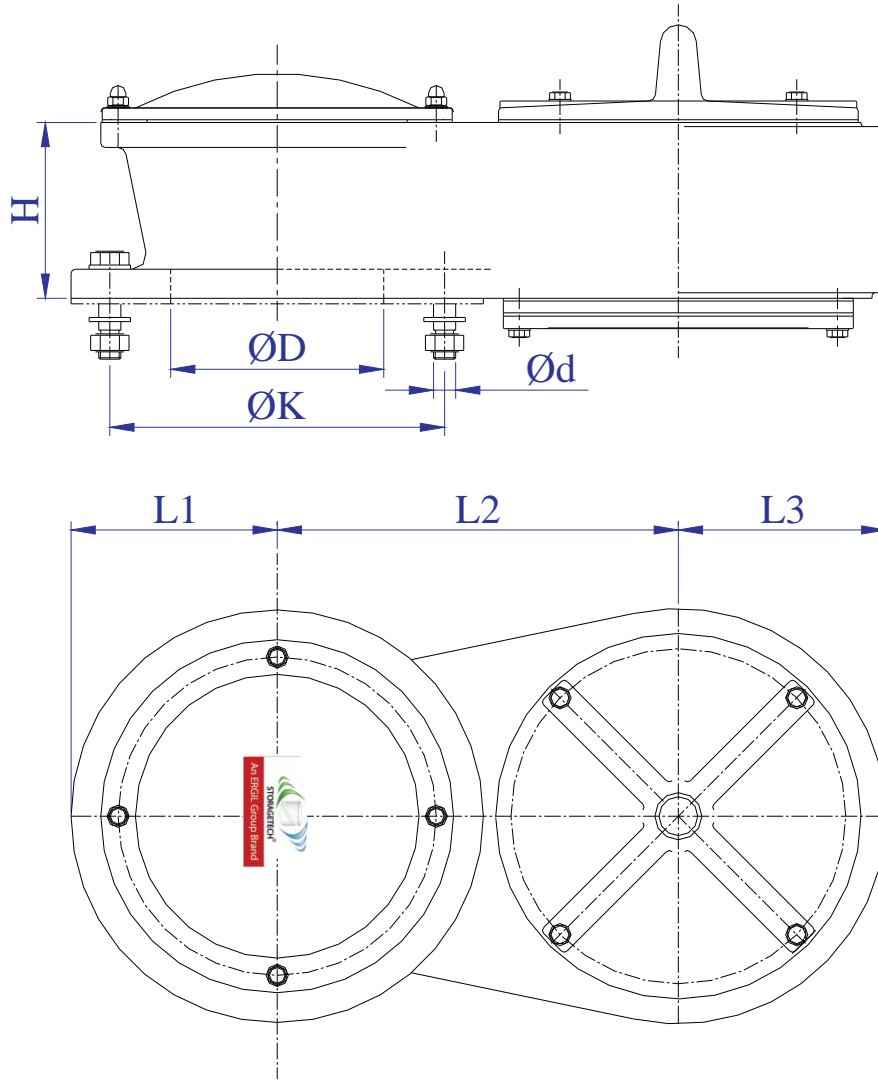




STORAGETECH®

An ERGIL Group Brand

## Dimension



Model	ØD mm	ØK mm	Ød	Quantity	H mm	L1 mm	L2 mm	L3 mm
2"	52	120,6	M16	3+1*	65	51,5	130	61
3"	78	152,5	M16	3+1*	78	166,5	166,5	82,5
4"	102	190,5	M16	3+1*	125	225	225	112,5
6"	154	241,3	M20	6+2*	127	290	290	140
8"	203	298	M20	5+3*	167	382	382	197,5
10"	255	362	M20	7+5*	225	440	440	223
12"	305	431,8	M20	7+5*	255	500	500	255