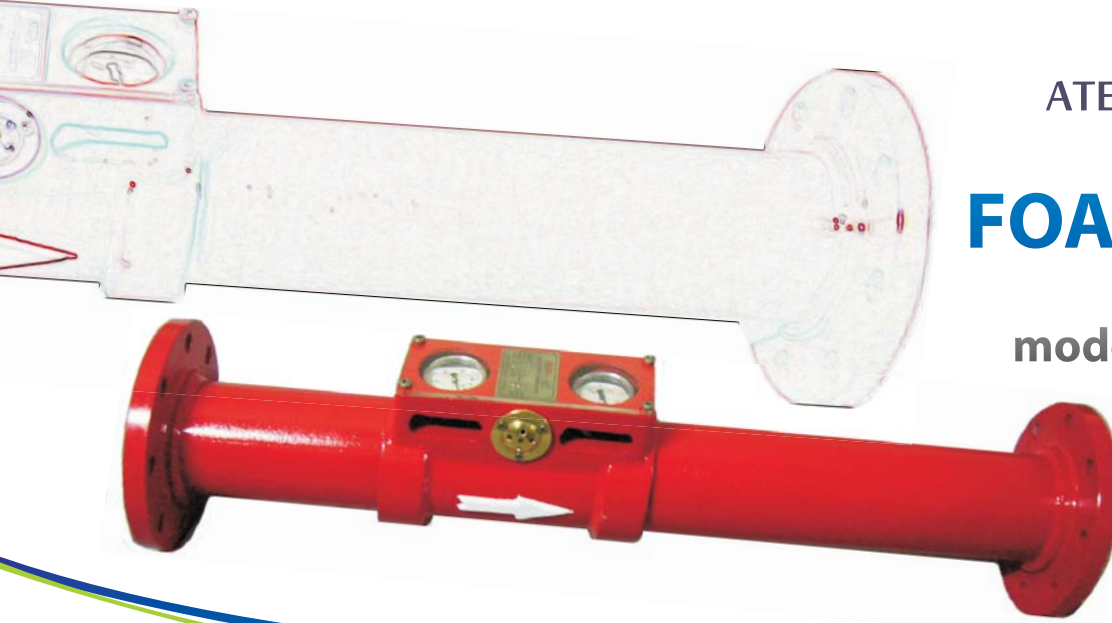


STORAGETECH®

An ERGIL Group Brand



ATEX approved



FOAM MAKERS

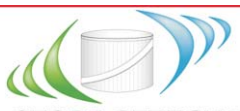
model number 1010

Product Description

Model Number 1010 Foam Maker is a fire fighting equipment, which is designed to produce expanded foam that is introduced into a cone roof storage tank by subsurface injection. STORAGETECH® type foam maker basically allow water and liquid foam to pass inside and combine them with air to produce foam.

Product Benefits

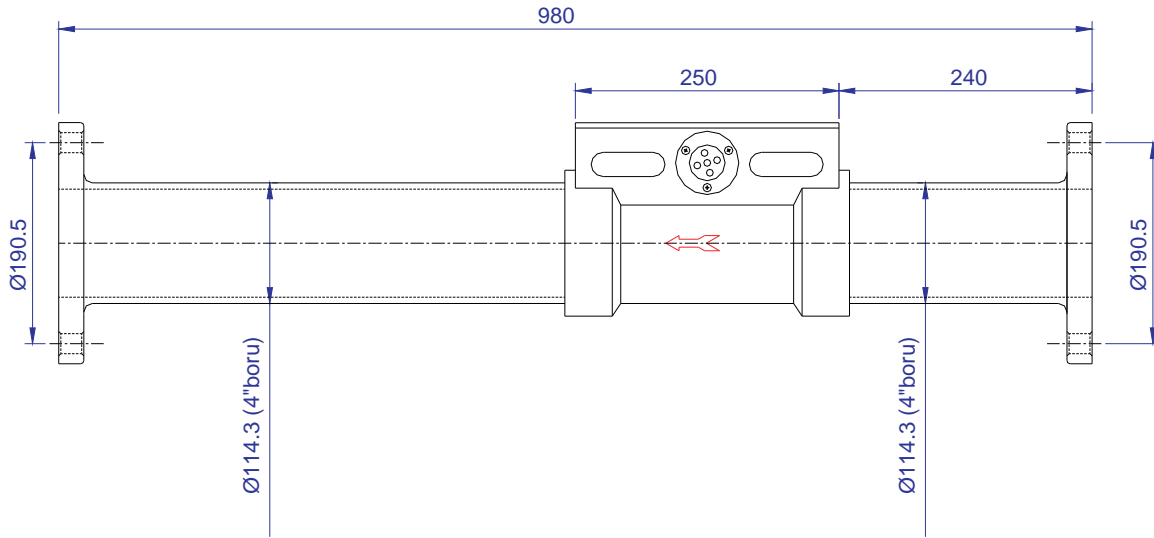
- Calibrated to pick up between 1% and 6% foam concentrate.
- Manufactured in carbon steel with stainless steel air inlet screen and brass foam solution inlet orifice. Inlet orifice machined and sized to match desired flow rate and pressure
- Accordance with NFPA 11



STORAGETECH®

An ERGIL Group Brand

Dimension and Weights



Manufacturing Materials

Body	Internals	Frangible Dics	Gaskets	Screws, Nuts, Washer
C.S.	C.S.	S.S.	Buna N	Ss
S.S.	S.S.		Elastomer	Graphite Viton

Dimension and Weights