

STORAGETECH®

An ERGIL Group Brand



ATEX approved 

Foam Top Pourer (Foam Chamber)

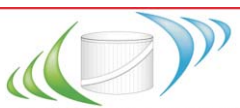
model number 1020

Product Description

Model Number 1020 Top Pourer Set is designed for storage tanks for fire fighting. It is designed for protecting fixed-roof (cone) and internal floating roof storage tanks. Foam Chamber is designed to introduce expanded foam directly onto the surface of a flammable or combustible liquid for fire extinguishing and/or vapor suppression. It comprises a foam generator, a foam pourer, and a vapor seal (to prevent the escape of product vapors to atmosphere through the foam line) all combined into a single fully integrated unit. Classified as a Type II discharge device in accordance with NFPA Standard 11, foam chambers deliver low expansion foam directly onto the fuel surface with a minimum of foam submergence and fuel agitation.

Product Benefits

- Easy to install. You do not need a special tool or experience to install the StorageTech top pourer (foam chamber).
- StorageTech PVV Model 1020 comes with the paint color you choose.
- Resistant to corrosion.
- 25% Lower Operating Pressure.
- Remote Vapor Leakage Detector Capability.



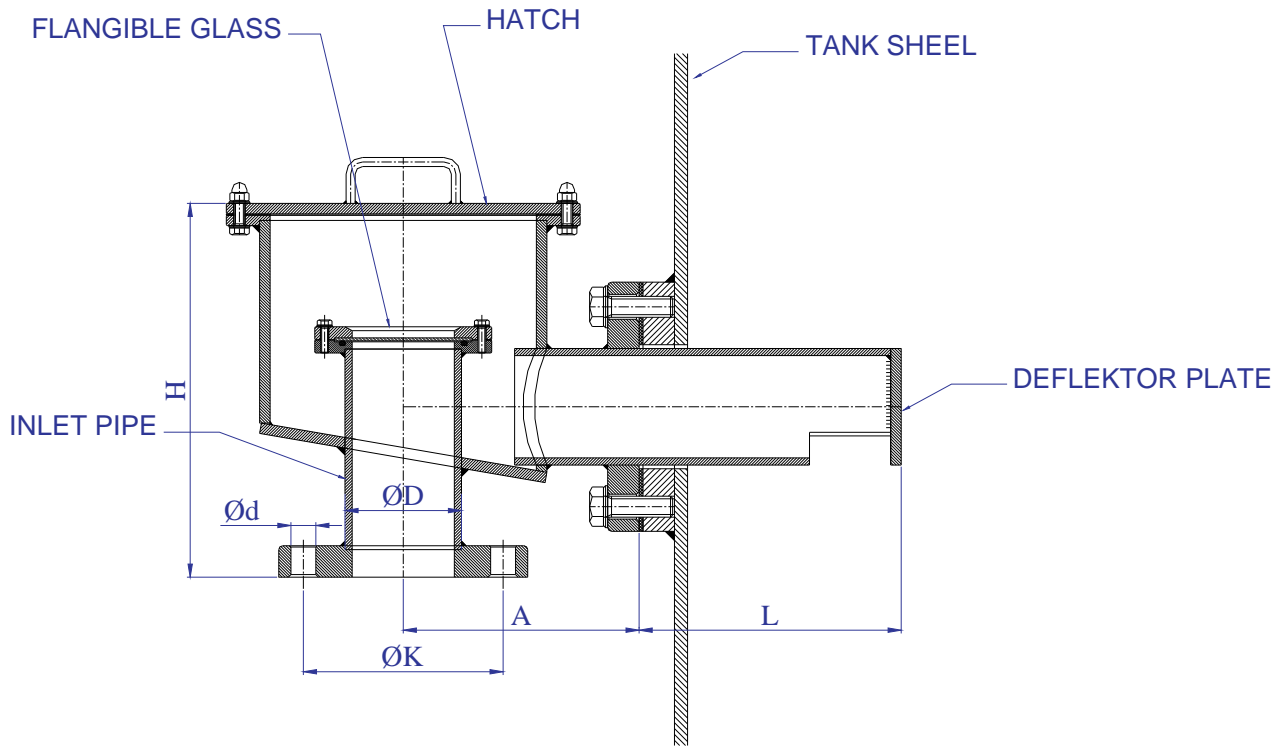
STORAGETECH®

An ERGIL Group Brand

Manufacturing Materials

Body	Orifice Plate	Internals	Frangible Dics	Gasket	Screws, Nuts, Washer
C.S.	Brass	C.S.	S.S.	Buna N	Ss
S.S.		S.S.		Elastomer	Graphite
					Viton

Dimension and Weights



Dimensions and Weights

Size	ØD	ØK	Ød	H	A	L
2"	60.4	120.6	19x4	190	120	200
2½"	73.1	140	19x4	200	200	220
3"	88.9	152.4	19x4	180	180	200
4"	114.3	190.5	19x8	275	275	270
6"	165.1	240	22x8	270	270	-

Dimension and Weights

